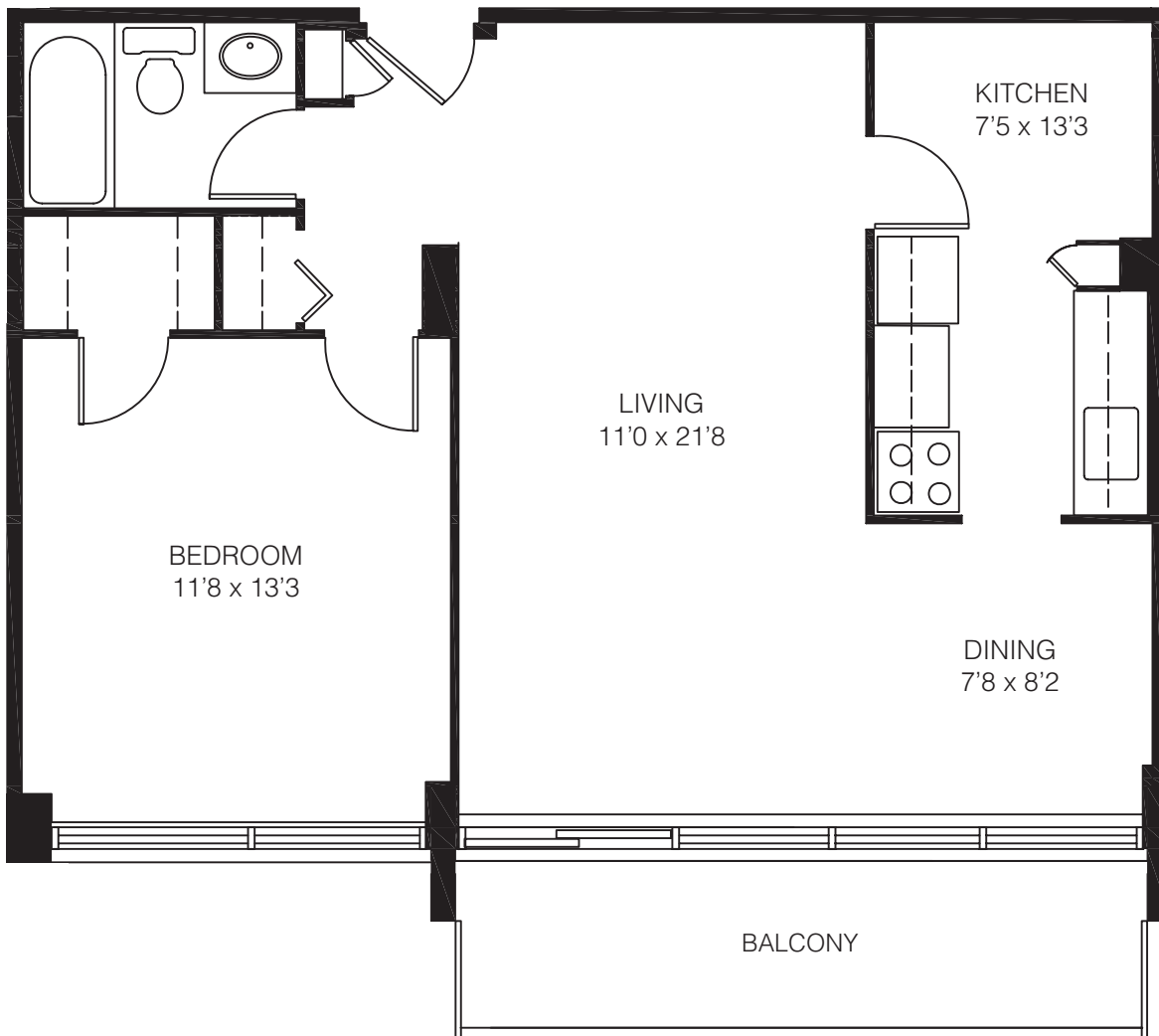
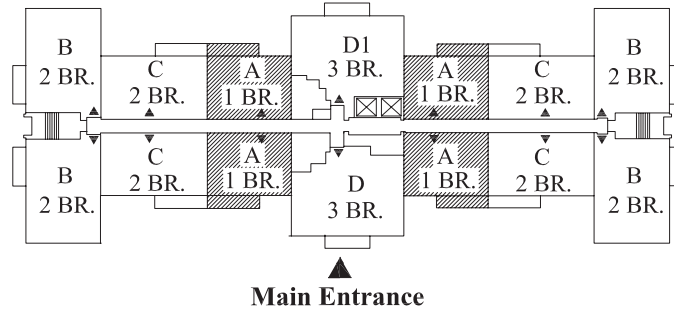


Lord Halifax Place Unit A - 1 Bedroom

1 Bedroom Suite, 1 Bathroom - Hot Water Included!

* All measurements are approximate. Design may vary.



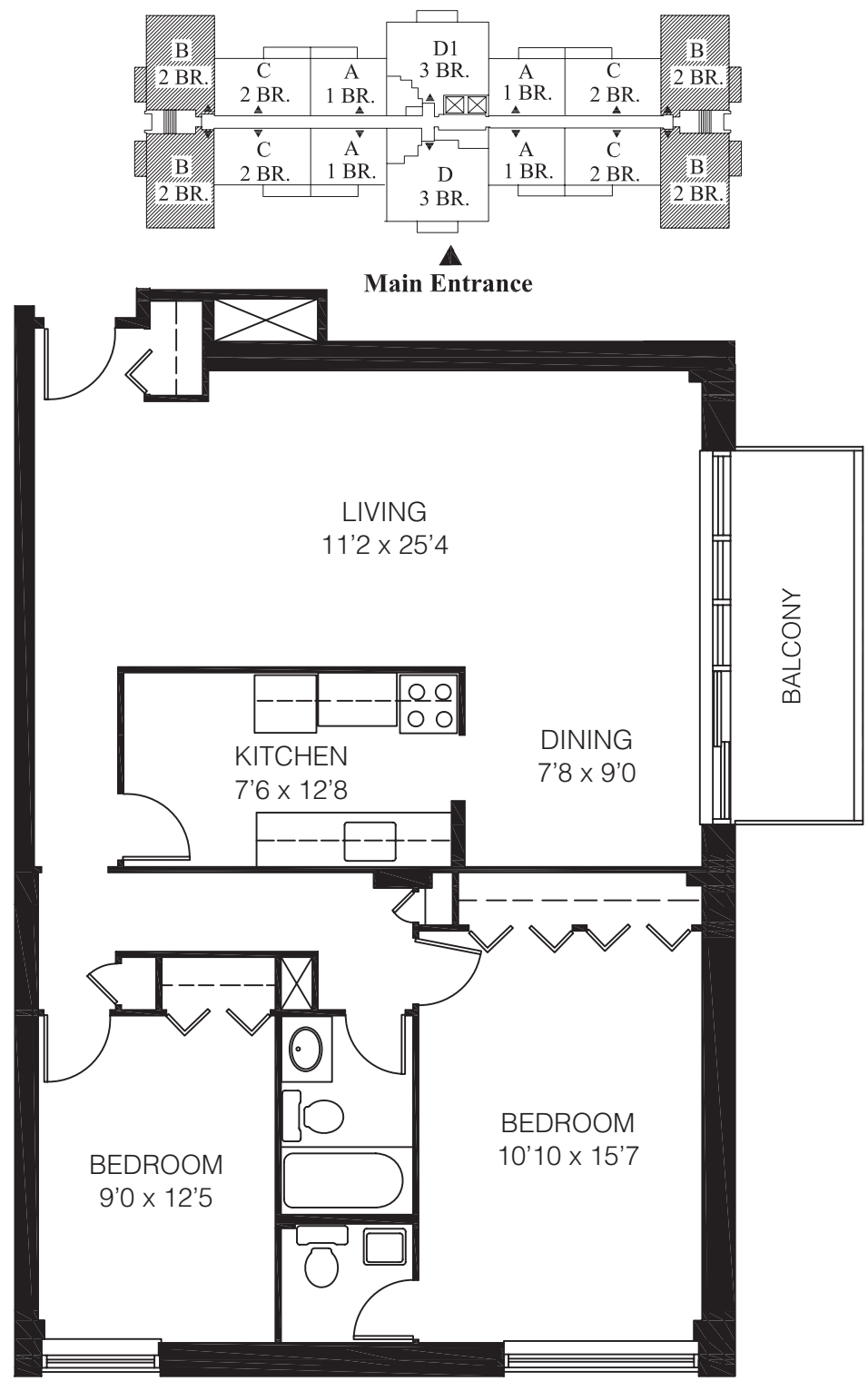
Rental Office
613-733-4077
2209 Arch Street

 **Urbandale**
CORPORATION
www.urbandale.com

Lord Halifax Place Unit B - 2 Bedrooms

2 Bedroom Suite, 1 Bathroom - Hot Water Included!

* All measurements are approximate. Design may vary.

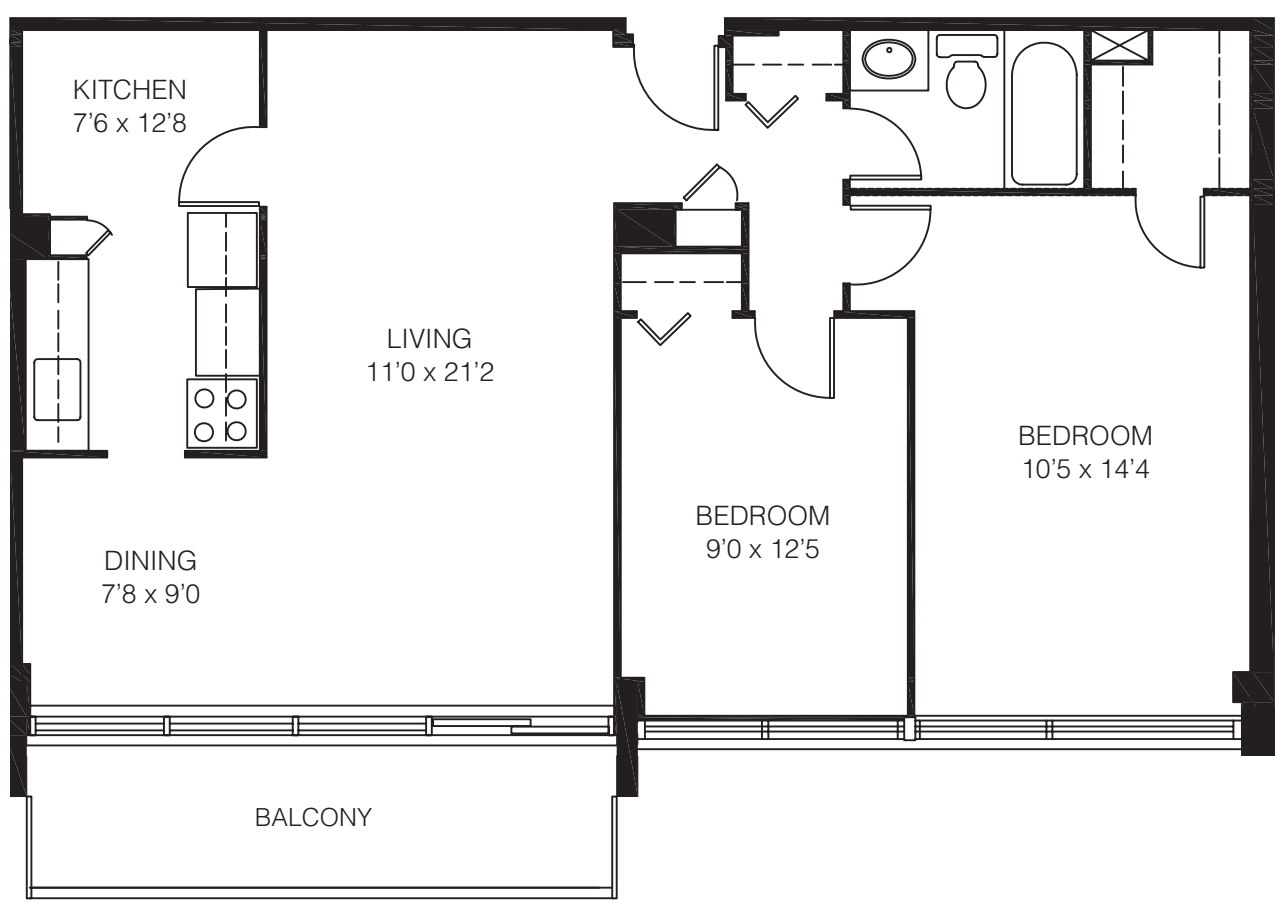
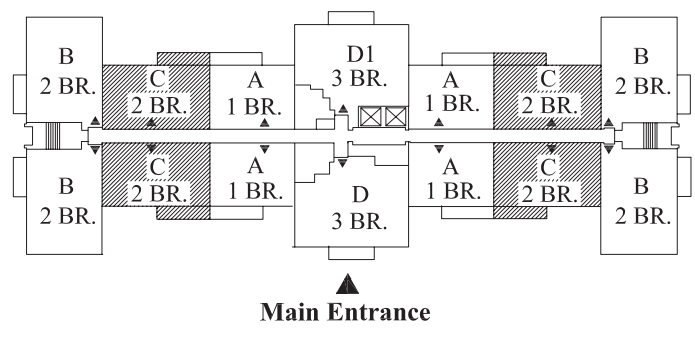


Rental Office
613-733-4077
2209 Arch Street

Lord Halifax Place Unit C - 2 Bedrooms

2 Bedroom Suite, 1 Bathroom - Hot Water Included!

* All measurements are approximate. Design may vary.

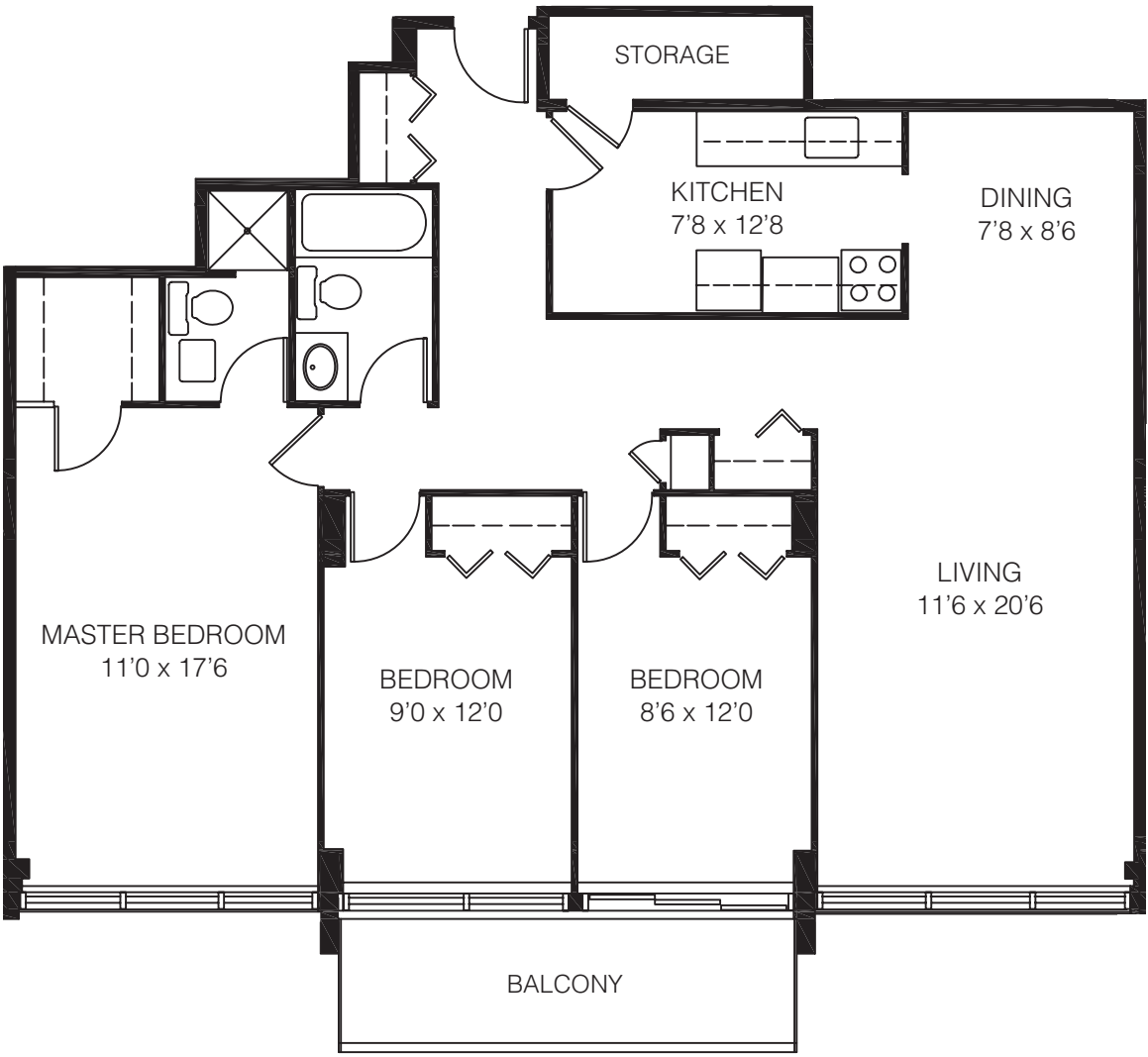
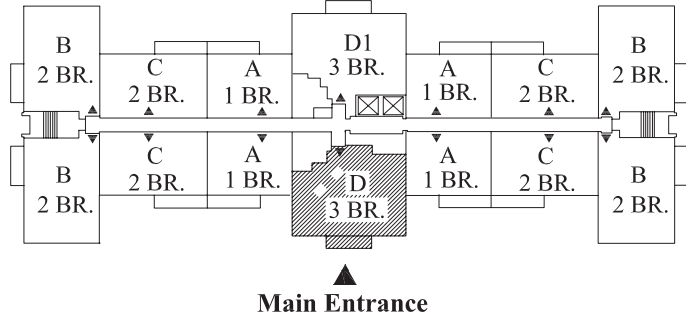


Rental Office
613-733-4077
2209 Arch Street

Lord Halifax Place Unit C - 3 Bedrooms

3 Bedroom Suite, 1.5 Bathroom - Hot Water Included!

* All measurements are approximate. Design may vary.



Rental Office
613-733-4077
2209 Arch Street

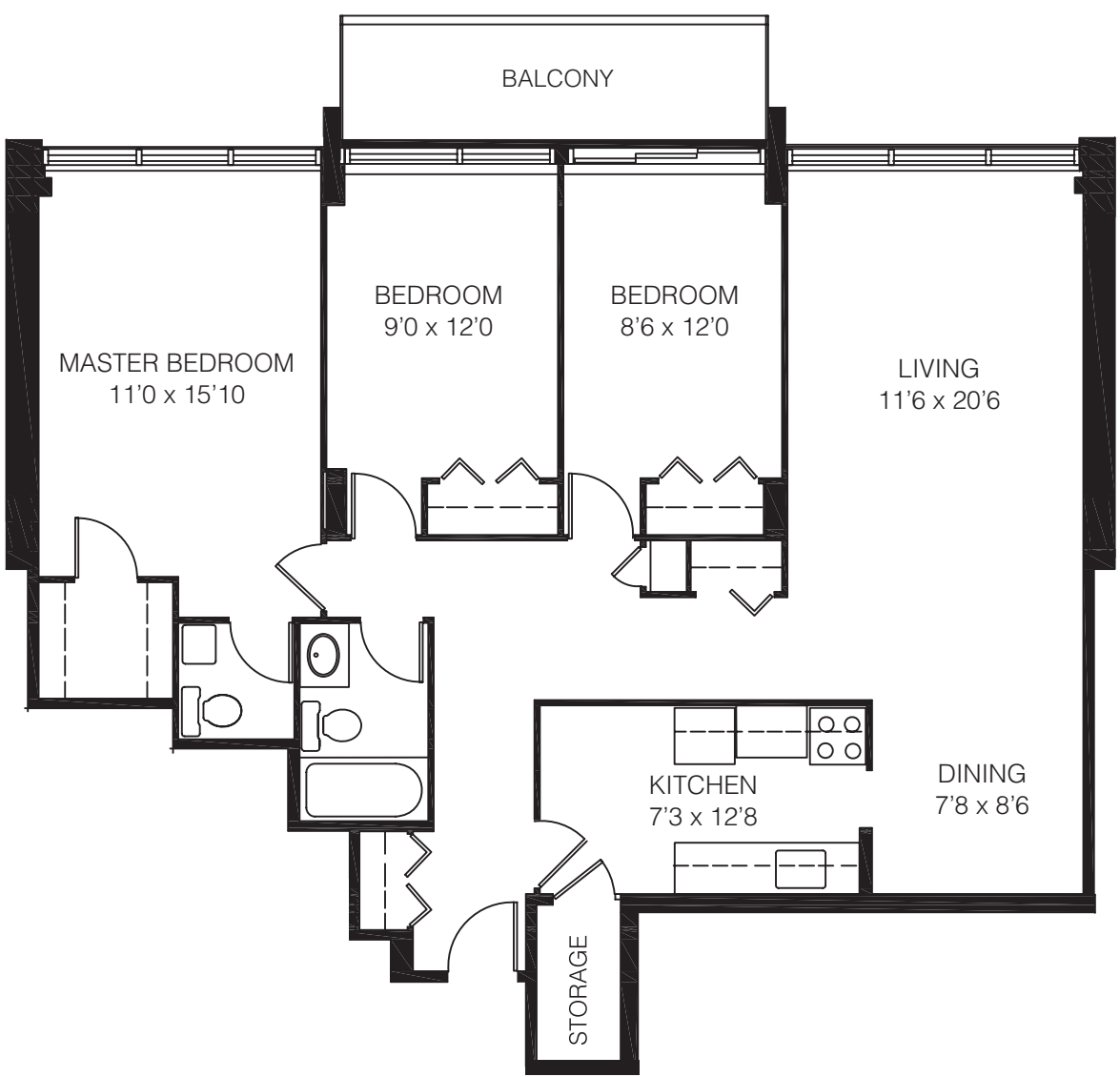
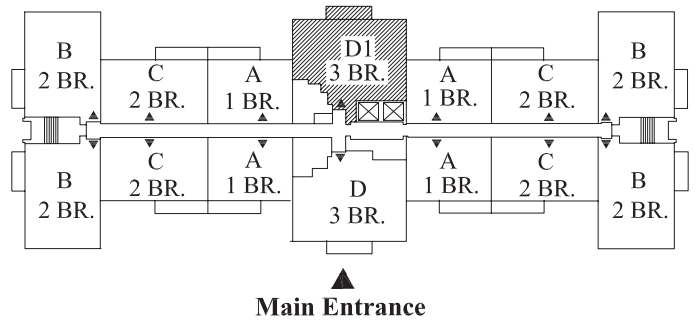
 **Urbandale**
CORPORATION
www.urbandale.com

Lord Halifax Place

Unit D1 - 3 Bedrooms

3 Bedroom Suite, 1.5 Bathroom - Hot Water Included!

* All measurements are approximate. Design may vary.

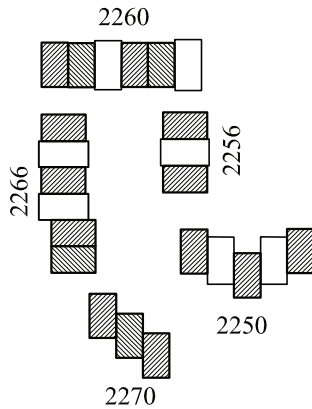


Rental Office
613-733-4077
2209 Arch Street

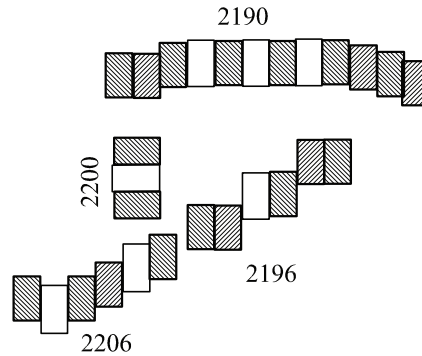
Lord Halifax Place 3 Bedroom Townhouse

3 Bedrooms, 1.5 Bathroom - Hot Water Included!

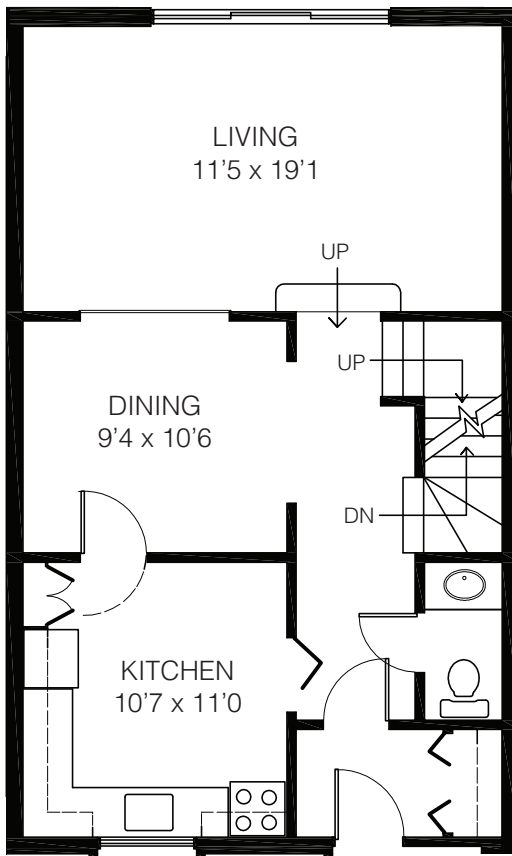
* All measurements are approximate. Design may vary.



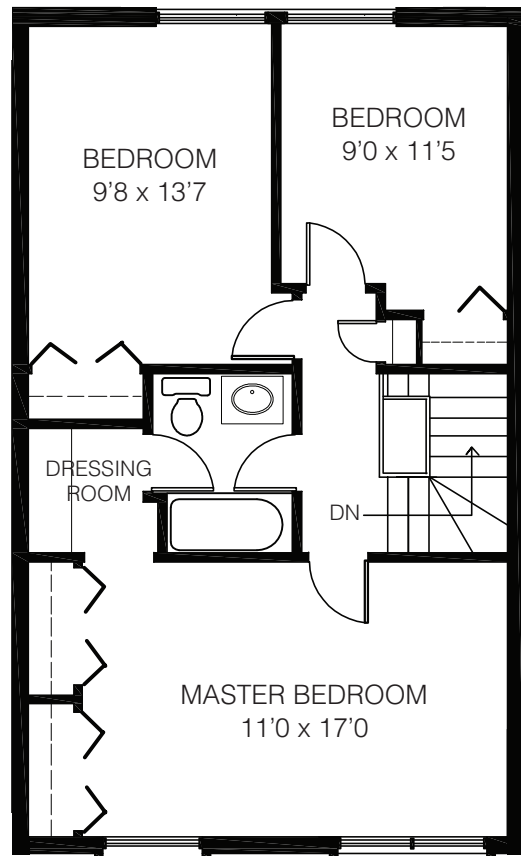
South Site



North Site



Ground Floor



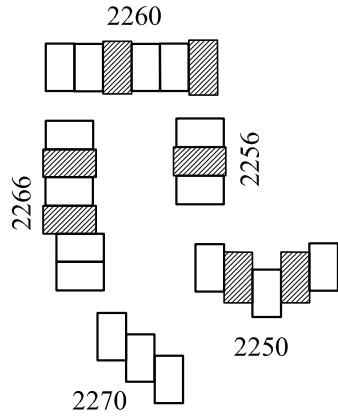
Second Floor

Rental Office
613-733-4077
2209 Arch Street

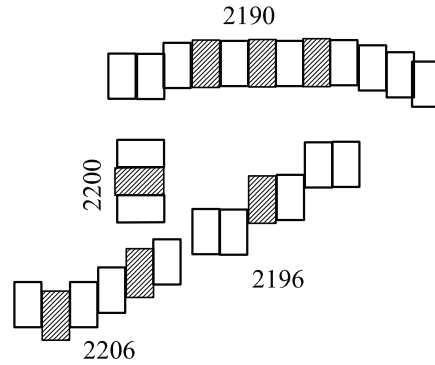
Lord Halifax Place 4 Bedroom Townhouse

4 Bedrooms, 1.5 Bathroom - Hot Water Included!

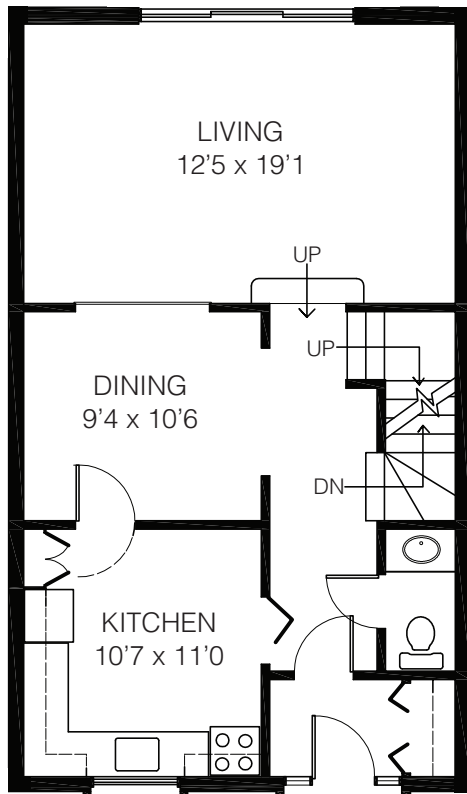
* All measurements are approximate. Design may vary.



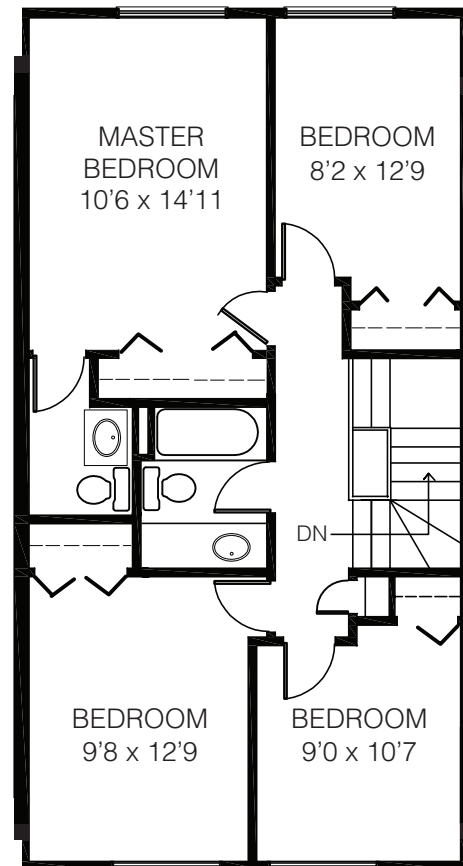
South Site



North Site



Ground Floor



Second Floor

Rental Office
613-733-4077
2209 Arch Street